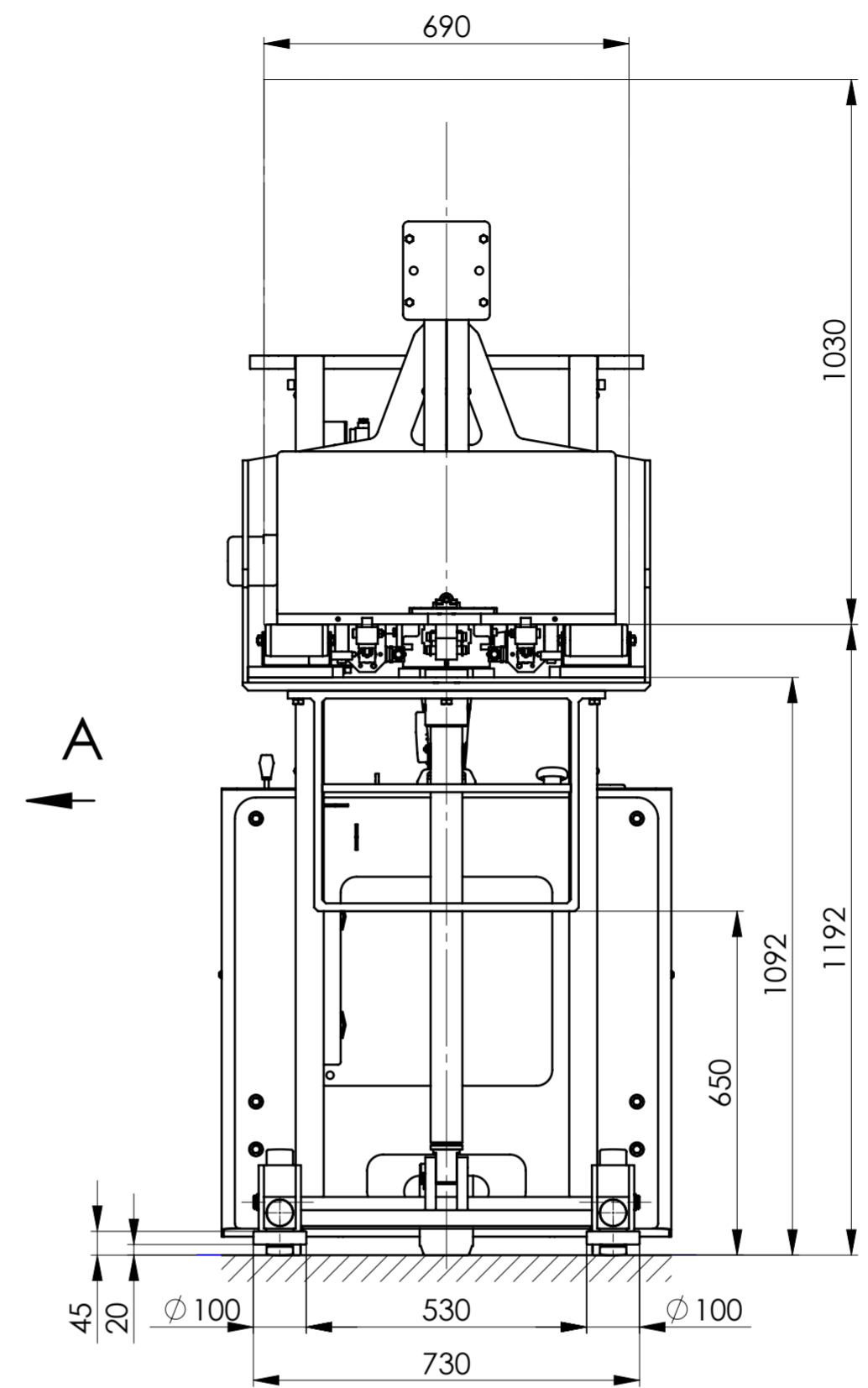
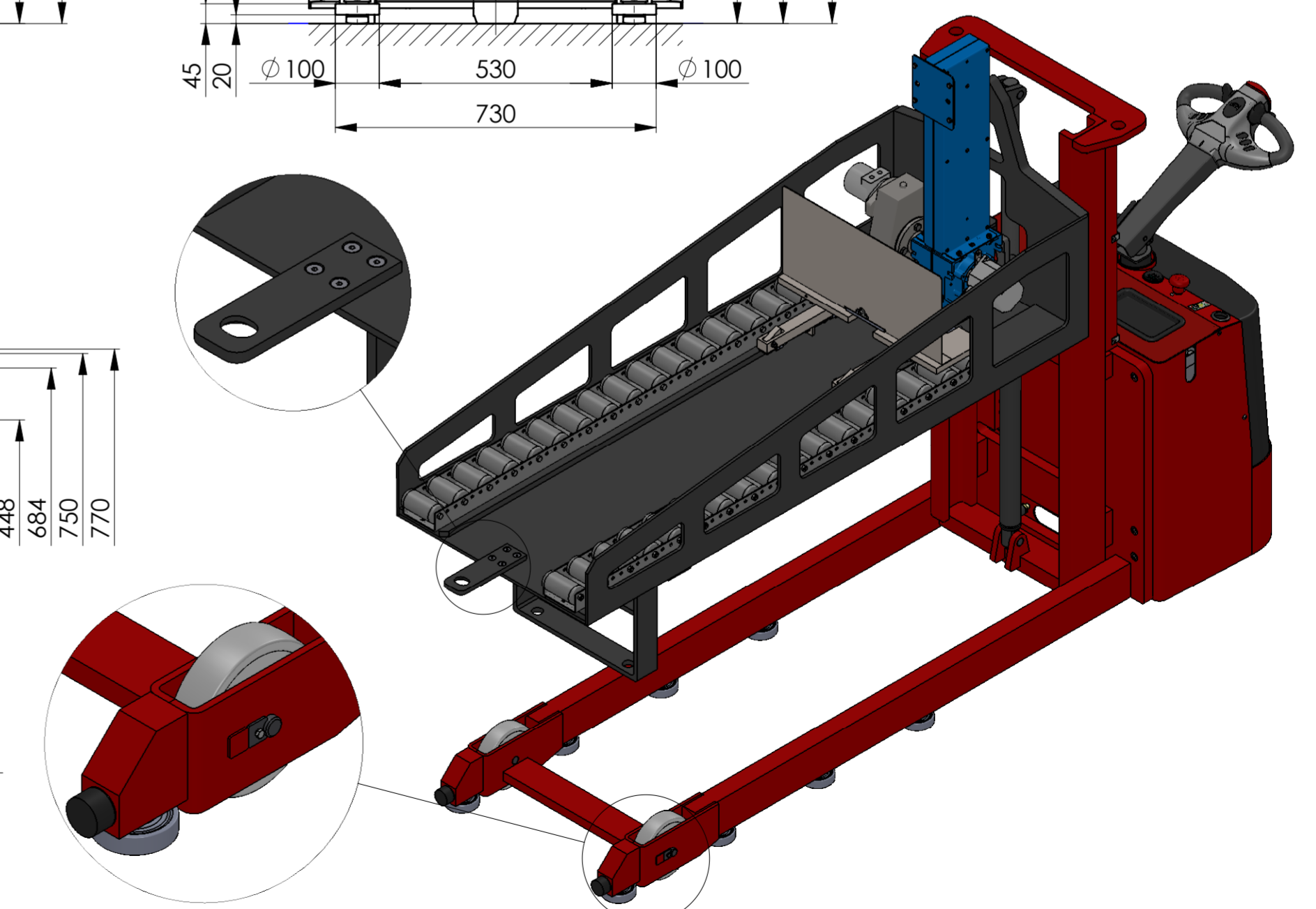
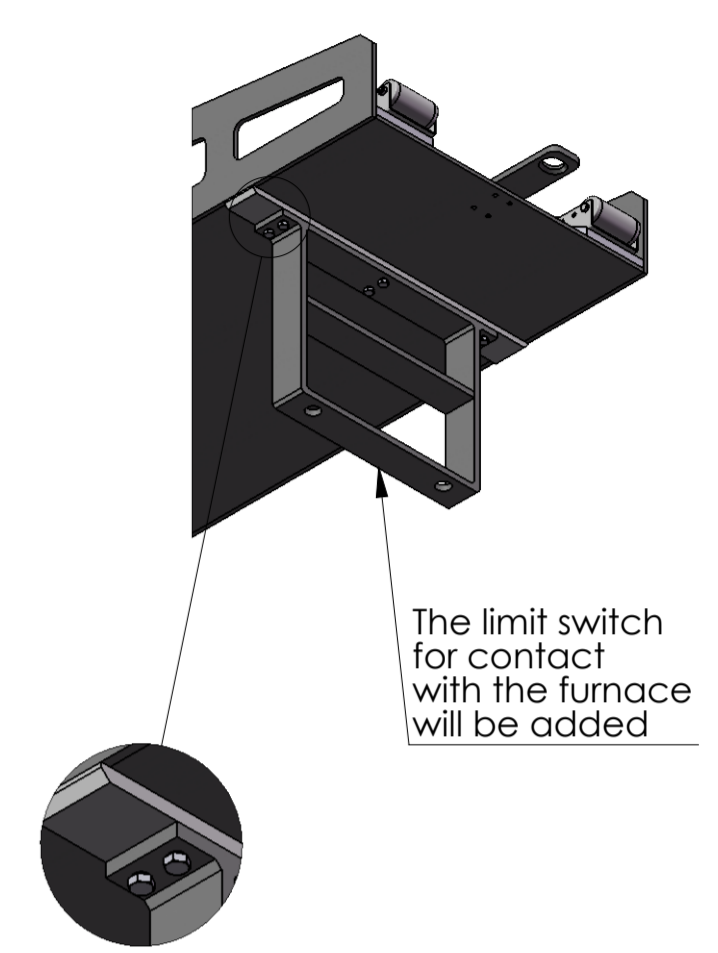


POHLED A



Temperature of Loading
approx. 200°C
Horizontal movement speed
of Loading approx. 2 m/min



F 13APP13/QDX-ONE-TZ/VD-DUAL according to P120/21/TÚ/2